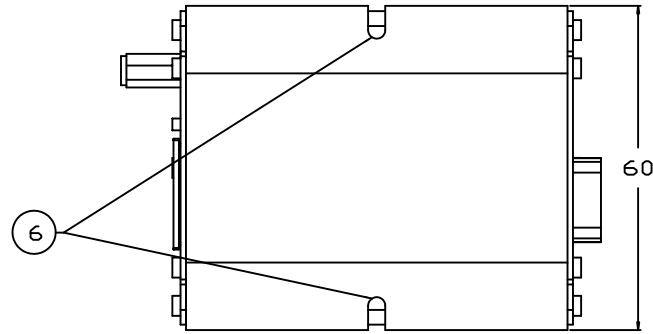
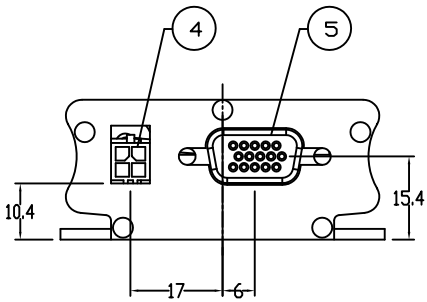
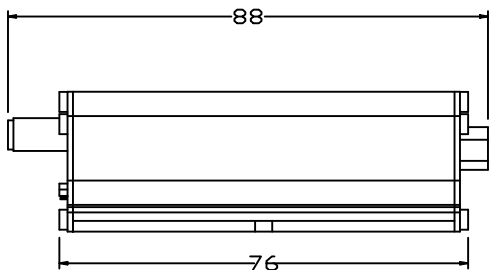
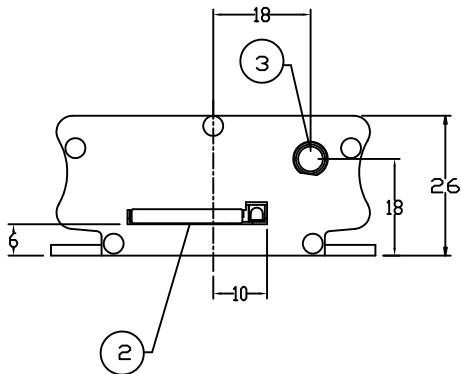
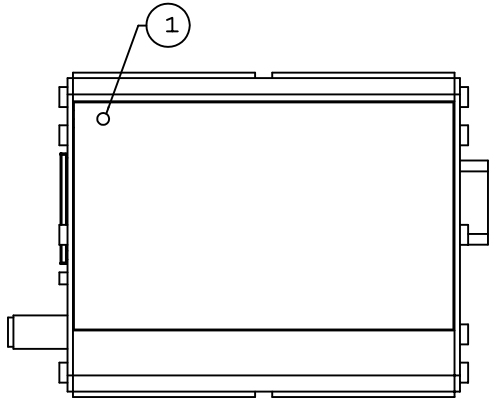
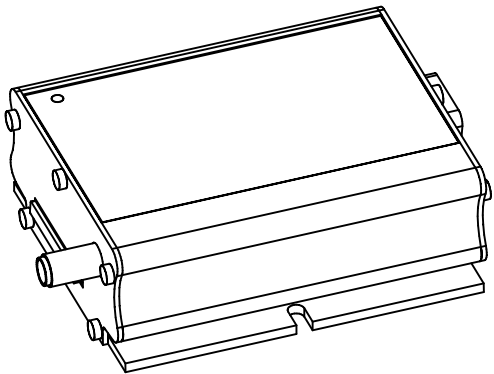


ITEM	DESCRIPTION	DWN	CHKD	APPD	DATE
A	INITIAL RELEASE	WAY			25/06
B	ADD DETAIL DIMS	WAY			17/09/03A



6	SLOTS FOR MOUNTING
5	15-PIN D-SUB FEMALE CONNECTOR (RS232/AUDIO)
4	4-PIN CONNECTOR (POWER INPUT/ OUTPUT)
3	SMA FEMALE ANTENNA CONNECTOR
2	SIM HOLDER
1	STATUS INDICATOR
ITEM	DESCRIPTION

FARGO TELECOM			
TITLE	OVERALL DIMENSIONS	QTY. 1	SCALE
PART NO.	3RD ANGLE PROJECTION	DWN	WAY
MODEL	MAESTRO-20	DATE	JUN 25,02
MATERIAL	DO NOT SCALE THIS DRAWING ALL DIMENSIONS IN MM	CHKD	
FINISH	UNSPECIFIED TOLERANCE	APPD	
TREATMENT	LINEAR ± 0.1 ANGULAR ± 0.5°	DATE	
	DWG. NO.	SHEET 1/1	ISSUE B A3